

Part E Wiring Specifications

This part contains internal wiring details for the TA703-01-0000 Change Over Module. It contains the following information:

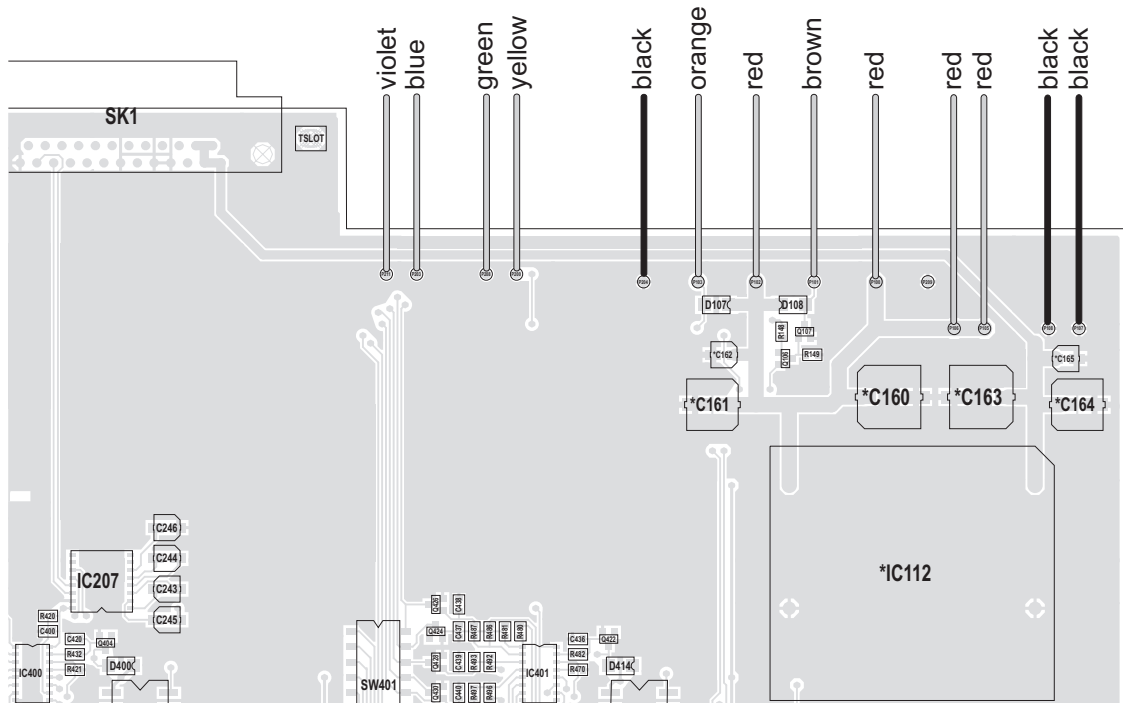
Section	Title	Page
1	Internal Wiring Connections	E3
2	External Cable Specifications	E5
2.1	Installation Kit/Power Monitor Cable	E7
2.2	Installation Kit Cable (TA703-11-0010)	E9
2.3	Installation Kit Cable (TA703-11-0011)	E11
2.4	Installation Kit Cable (TA703-11-0012)	E13
2.5	Power Monitor Kit Cable	E15

1 Internal Wiring Connections

The TA703-01-0000 Change Over Module rear panel connectors are wired to the Change Over Module Control PCB according to the table and diagram that follow:

Pad	Wire	Rear Panel Connector	Function	Pin/Terminal
P107	Black	4 pin XLR Plug	Power Out - GND	pin 3
P108	Black	4 pin XLR Plug	Power Out - GND	pin 4
P105	Red	4 pin XLR Plug	Power Out - 13.8V	pin 1
P106	Red	4 pin XLR Plug	Power Out - 13.8V	pin 2
P209	not connected			
P100	Red	Tag Strip for Coaxial Relay Control	Relay Driver O/P	+13.8V
P101	Brown	Tag Strip for Coaxial Relay Control	Relay Driver O/P	RX/TX
P102	Red	Tag Strip for Coaxial Relay Control	Relay Driver O/P	+13.8V
P103	Orange	Tag Strip for Coaxial Relay Control	Relay Driver O/P	Base Select
P204	Black	RCA Socket/s		Solder tags*
P200	Yellow	Black RCA Socket	Reverse Power Base B	Rev (B)
P208	Green	Red RCA Socket	Forward Power Base B	Fwd (B)
P203	Blue	Black RCA Socket	Reverse Power Base B	Rev (A)
P211	Violet	Red RCA Socket	Forward Power Base B	Fwd (A)
* RCA socket solder tags are soldered together in pairs - Rev/Fwd (A) and Rev/Fwd (B)				

Note: The diagram below reads from right to left.



2 External Cable Specifications

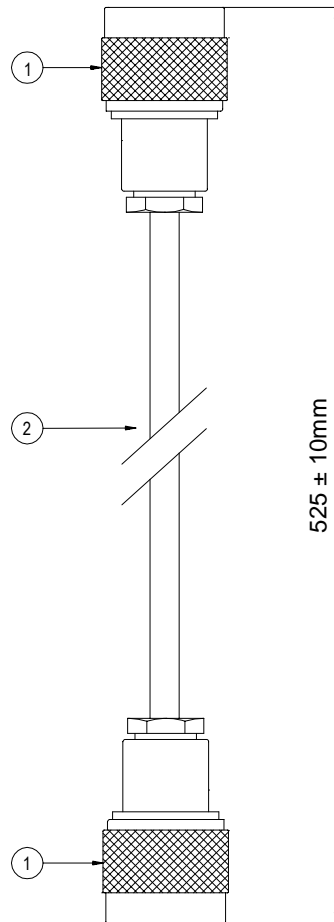
This section provides details of the external cables required to instal the TA703-01-000X Change Over Module and the Power Monitor. The cables are supplied as follows:

- Installation Kit/Power Monitor Kit Cable IPN 219-02701-00
N-type to N-type cable
6 provided - all installation kits
1 provided - all power monitor kits
- Installation Kit Cable (TA703-11-0010) IPN 219-02702-01
15 way D-Range to 25 way D-Range cable
2 provided - installation kit TA703-12-0010 only
- Installation Kit Cable (TA703-11-0011) IPN 219-02703-01
15 way D-Range to 25 way D-Range cable
2 provided - installation kit TA703-12-0011 only
- Installation Kit Cable (TA703-11-0012) IPN 219-02700-01
15 way D-Range to 25 way D-Range cable
2 provided - installation kit TA703-12-0012 only
- Power Monitor Kit Cable IPN 219-00025-82
Phono to phono red/black (or white) twin cable
2 provided - all power monitor kits

2.1 Installation Kit/Power Monitor Cable IPN 219-02701-00

Six of these cables are supplied in each TA703-01-XXXX Change Over Module Installation Kit.

One cable is also provided in each Power Monitor kit for connecting the Power Monitor to the Duplexer.



Parts List

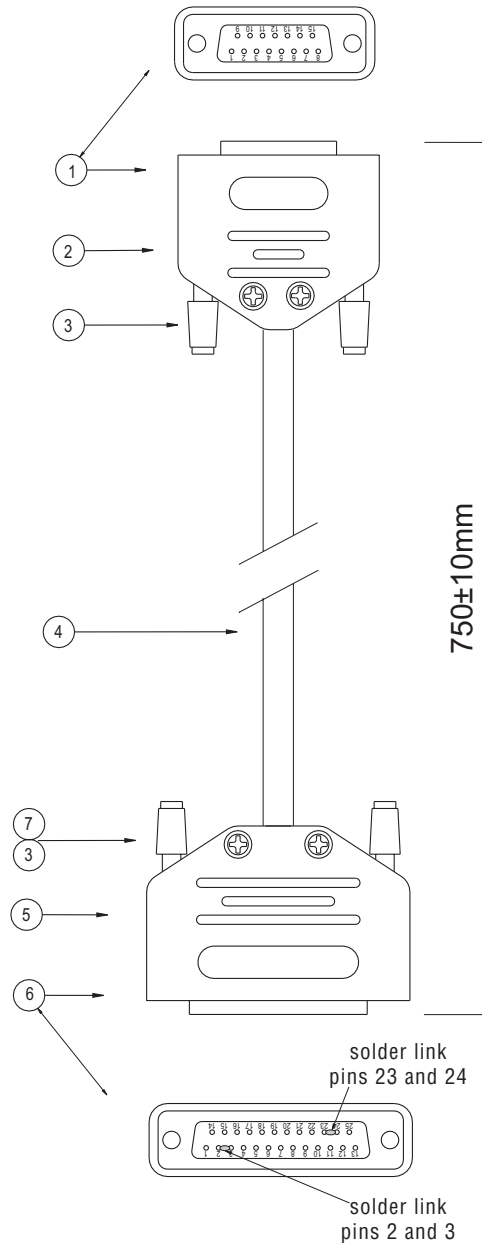
Item	Description	Quantity	Supplier	Supplier Part
1	Plug Coax N-type Cord Captive	2	Tait	206-00010-15
2	Cable Coax 50E RG223/U2 Scrm	525mm	Tait	240-00010-06

2.2 Installation Kit Cable (TA703-11-0010) IPN 219-02702-01

Two of these cables connect the Change Over Module to the Base A and Base B **T800-50-0000** Backplanes. The 15 way D Ranges connect to the Change Over Module at PL1 and PL2, and the 25 Way D Ranges connects to the T800 backplane at SK7.

Note: This cable is ground shielded.

Note: This cable differs according to the installation kit variant.



A list of parts and D-Range connector wiring details are on the following page.

Parts List

Item	Description	Quantity	Supplier	Supplier Part
1	15 Way D-Range Skt S/B	1	Tait	240-02010-54
2	15 Way D-Range Cover and Hood	1	Tait	240-06010-18
3	Heatshrink 10mm	60mm	Tait	400-00020-70
4	Cable 20 Core Screened	750mm	Tait	205-00010-58
5	25 Way D-Range Plug S/B	1	Tait	240-06010-63
6	25 Way D-Range Cover and Hood	1	Tait	240-00010-17
7	Wire 7/0.2 PVC Grey	80mm	Tait	201-00030-08

D Range Wiring - 219-02702-01

The following table describes the wiring of the 15 way and 25 way D-Range connectors on this cable.

15 way pin	function	wire colour	25 way pin
1	Rx Line 1	Brown	1
2	Rx Line 4	White	4
3	Tx Line 1	Red	25
4	Tx Line 4	Black	22
5	Rx Gate	Orange	14
6	Forward Power Alarm	Green/red	10
7	Tx Key	Yellow	17
8	Reverse Power Alarm	Red/blue	11
9	Rx Mute	Pink	14
10	Tx Enable	Blue	17
11	not connected	-	-
12	not connected	-	-
13	13.8V+	Violet	2, 3
14	RSSI	Green	5
15	0V-	Grey	23, 24
All remaining 25 way D-Range pins are not connected.			

Note: On the 25 way D Range, pins 2 and 3, and pins 23 and 24 are solder linked.

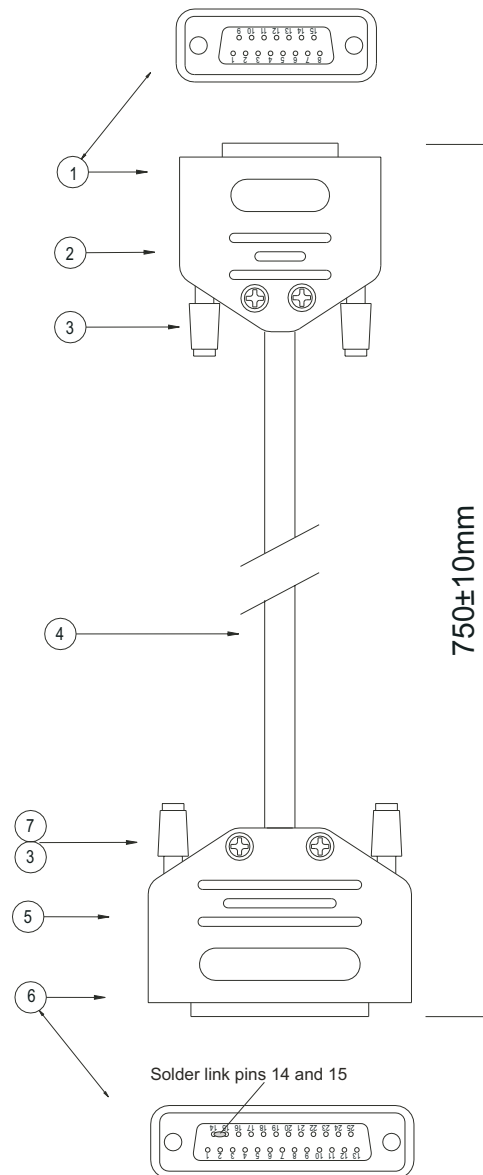
Note: **For T800 Backplane PCBs with IPNs 220-01409-00, -01 and -02 only:**
To provide 13.8+V to SK7 pins 2 and 3, and 0V to SK7 pins 23 and 24, refer to CP 3201 (Touchtel) modification.

2.3 Installation Kit Cable (TA703-11-0011) IPN 219-02703-01

Two of these cables connect the Change Over Module to the **T800-50-0001** Backplane. The 15 way D-Range connects to the Change Over Module and the 25 Way D Range connects to the backplane at SK7.

Note: This cable is ground shielded.

Note: This cable differs according to the installation kit variant.



A list of parts and D-Range connector wiring details are on the following page.

Cable Parts List

Item	Description	Quantity	Supplier	Supplier Part
1	15 Way D-Range Skt S/B	1	Tait	240-02010-54
2	15 Way D-Range Cover and Hood	1	Tait	240-06010-18
3	Heatshrink 10mm	60mm	Tait	400-00020-70
4	Cable 20 Core Screened	750mm	Tait	205-00010-58
5	25 Way D-Range Skt S/B	1	Tait	240-06010-67
6	25 Way D-Range Cover and Hood	1	Tait	240-06010-17
7	Wire 7/0.2 PVC Black	80mm	Tait	201-00030-10

D Range Wiring - 219-02703-01

The following table describes the wiring of the 15 way and 25 way D-Range connectors on this cable.

15 way pin	function	wire colour	25 way pin
1	Rx Line 1	Brown	1
2	Rx Line 4	Yellow	4
3	Tx Line 1	Green	5
4	Tx Line 4	Blue	8
5	Rx Gate	Violet	14
6	Forward Power Alarm	Green/red	-
7	Tx Key	Orange	15
8	Reverse Power Alarm	Red/blue	-
9	Rx Mute	Pink	14
10	Tx Enable	Grey	15
11	not connected	-	-
12	not connected	-	-
13	13.8V+	Red	25
14	RSSI	White	9
15	0V-	Black	13
All remaining 25 way D-Range pins are not connected.			

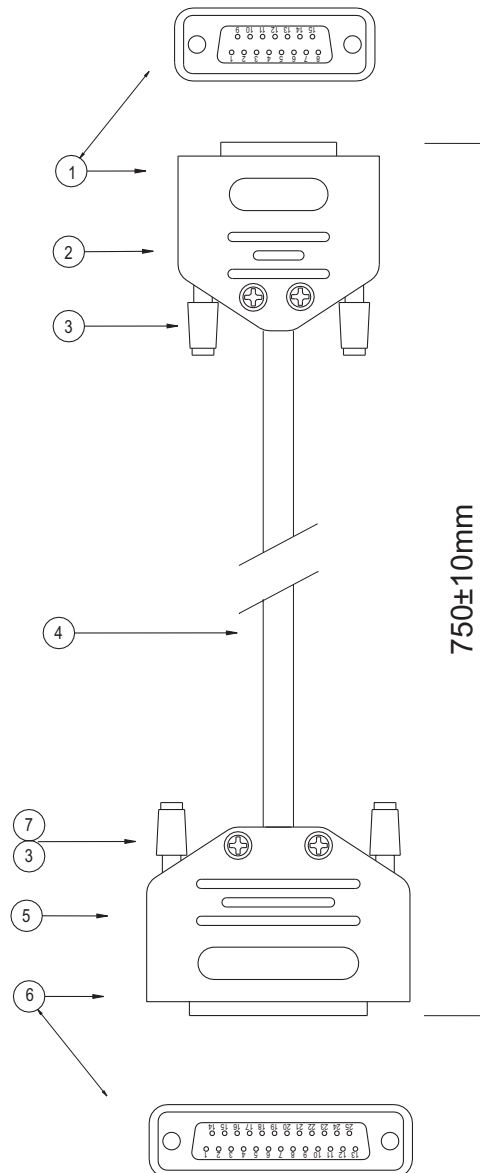
Note: On the 25 way D Range, pins 14 and 15 each have two wires connected.

2.4 Installation Kit Cable (TA703-11-0012) IPN 219-02700-01

This cable connects the Change Over Module to the T800-52-0000 Backplane. The 15 way D Range connects to the Change Over Module and the 25 Way D Range connects to the T800 backplane at SK7.

Note: This cable is ground shielded.

Note: This cable differs according to the installation kit variant.



A list of parts and D-Range connector wiring details are on the following page.

Parts List

Item	Description	Quantity	Supplier	Supplier Part
1	15 Way D Range Skt S/B	1	Tait	240-02010-54
2	15 Way D Range Cover and Hood	1	Tait	240-06010-18
3	Heatshrink 10mm	60mm	Tait	400-00020-70
4	Cable 20 Core Screened	750mm	Tait	205-00010-58
5	25 Way D Range Skt S/B	1	Tait	240-06010-67
6	25 Way D Range Cover and Hood	1	Tait	240-00010-17
7	Wire 7/0.2 PVC Black	80mm	Tait	201-00030-10

D Range Wiring - 219-02700-01

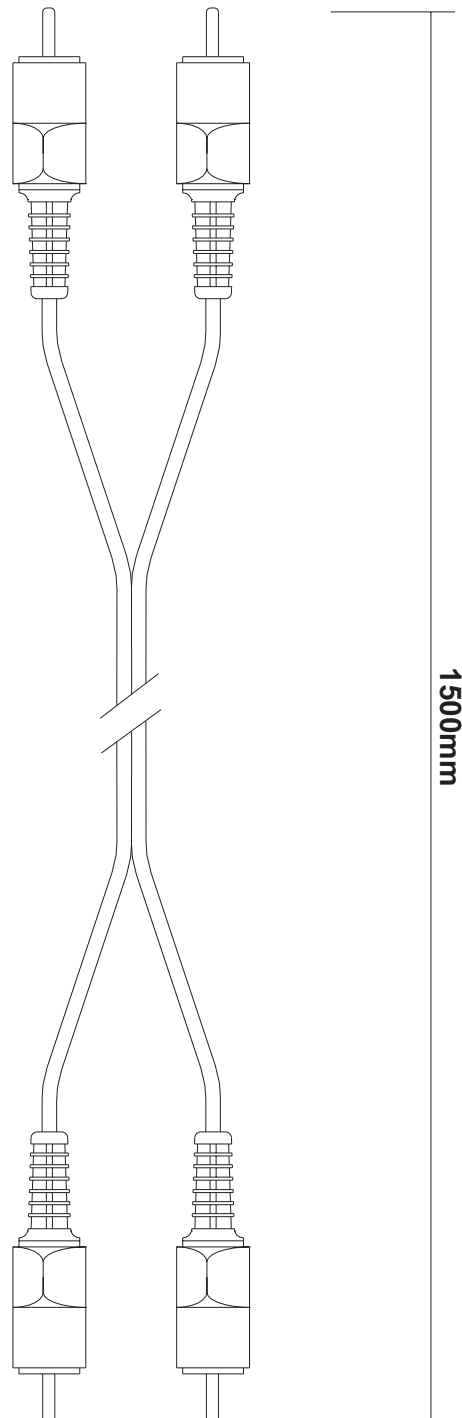
The following table describes the wiring of the 15 way and 25 way D-Range connectors on this cable.

15 way pin	function	wire colour	25 way pin
1	Rx Line 1	Brown	1
2	Rx Line 4	Yellow	2
3	Tx Line 1	Green	15
4	Tx Line 4	Blue	16
5	Rx Gate	Violet	14
6	Forward Power Alarm	Green/red	19
7	Tx Key	Orange	3
8	Reverse Power Alarm	Red/blue	20
9	Rx Mute	Pink	14
10	Tx Enable	Grey	3
11	not connected	-	-
12	not connected	-	-
13	13.8V+	Red	25
14	RSSI	White	11
15	0V-	Black	13
All remaining 25 way D-Range pins are not connected.			

Note: On the 25 way D Range, pins 3 and 14 each have two wires connected.

2.5 Power Monitor Kit Cable IPN 219-00025-82

This cable connects the power monitor to the forward and reverse power outlets of the Change Over Module. One cable connects the power monitor to Base A, the other to Base B. The black (or white) connectors indicate forward power, the red connectors indicate reverse power.



Parts List

Item	Description	Qty	Supplier	Supplier Part
1	Cable twin phono/phono red/black (or white)	1	SI Components	CA1042

